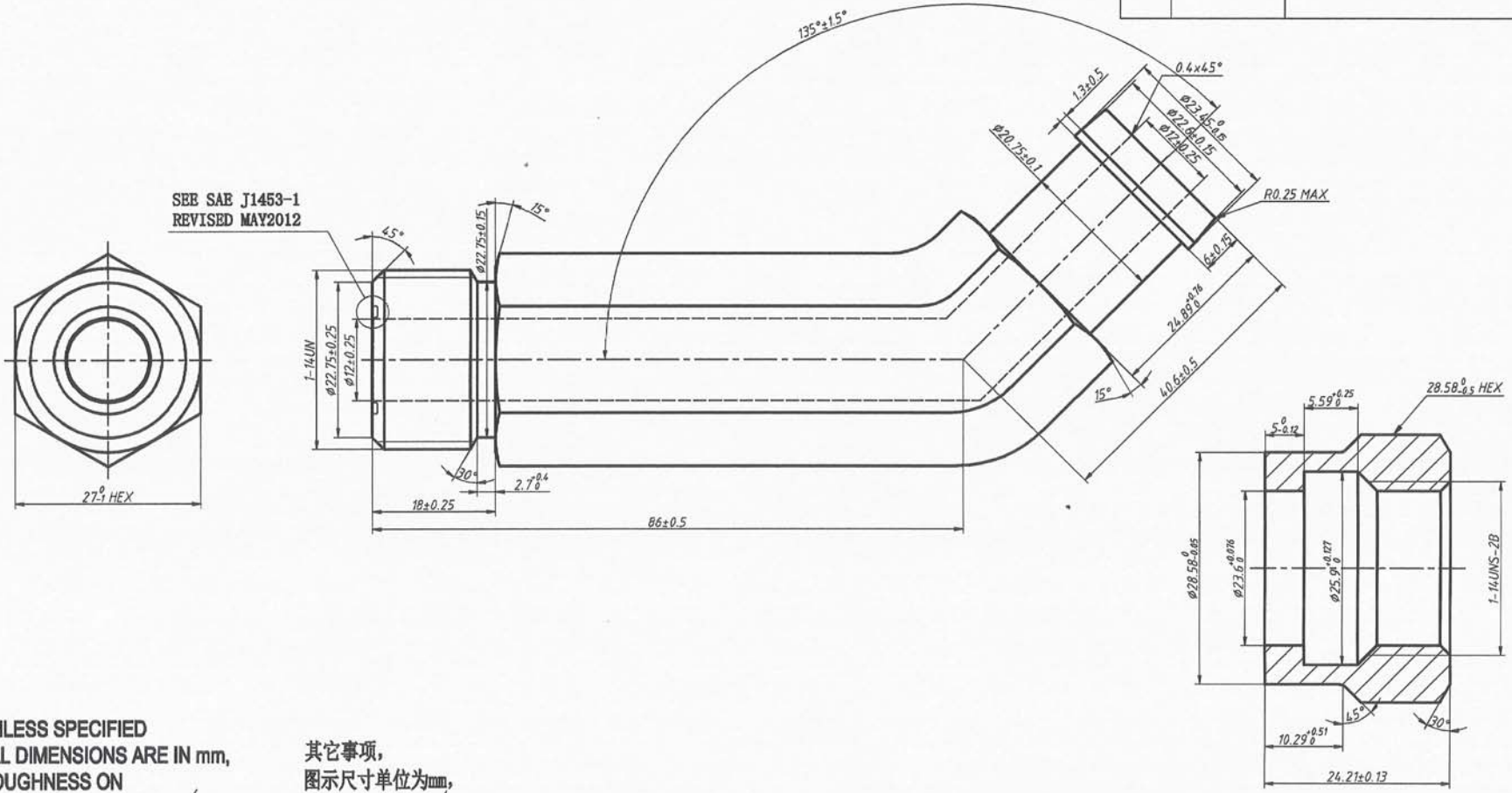


REV 更改号	DATE 日期	REVISION DETAILS 更改内容	APPD 审核并批准
A	Mar. 25. 2021	Production issue	Zhang



UNLESS SPECIFIED  
ALL DIMENSIONS ARE IN mm,  
ROUGHNESS ON  
HEXAGON SURFACE  
MACHINED SURFACES Ra=3.2um,  
ANGLE TOLERANCES ±5°,  
Other except angles,  
in accordance with  
GB/T1804-2000(ISO2768-1)-m  
and GB/T1184-1996(ISO2768-2)-K

其它事项,  
图示尺寸单位为mm,  
六角面粗糙度  
未注机加工表面粗糙度 Ra=3.2um,  
未注角度公差 ±5°,  
其它未注公差 (除角度外) 均按:  
GB/T1804-2000(ISO2768-1)-m 和  
GB/T1184-1996(ISO2768-2)-K

<b>Zhejiang Gaocheng Autoparts Co.,Ltd</b>	
 THIRD ANGLE PROJECTION	PART No 零件名 41402-ELB45-10FS-10FSSW
MATERIAL Chinese steel 45 材质 45号钢	APPD: 批准 Zhang DATE: 日期
FINISH Remove all sharp edges,burrs,slivers and swarf, break all edges 0.127-0.254mm. ZINC PLATING WITH 6um MICRONS MINIMUM PLATING THICKNESS AND TRIVALENT CHROMATE PASSIVATION AND WITHSTAND 96 HRS TO WHITE / 144 HS TO RED RUST IN SALT SPRAY TEST. 去除所有毛刺, 铁屑等残留物, 锐边倒钝0.127-0.254mm. 镀锌, 三价铬钝化, 银白色, 盐雾试验96小时无白斑, 144小时无红锈, 镀锌层厚度大于6um.	DRN: 余德胜 制图 2021.03.25 CHK: 詹永斌 审核 2021.03.25

MATERIAL	Chinese steel 45	材质 45号钢
FINISH	Remove all sharp edges,burrs,slivers and swarf, break all edges 0.127-0.254mm. ZINC PLATING WITH 6um MICRONS MINIMUM PLATING THICKNESS AND TRIVALENT CHROMATE PASSIVATION AND WITHSTAND 96 HRS TO WHITE / 144 HS TO RED RUST IN SALT SPRAY TEST.	去除所有毛刺, 铁屑等残留物, 锐边倒钝0.127-0.254mm. 镀锌, 三价铬钝化, 银白色, 盐雾试验96小时无白斑, 144小时无红锈, 镀锌层厚度大于6um.